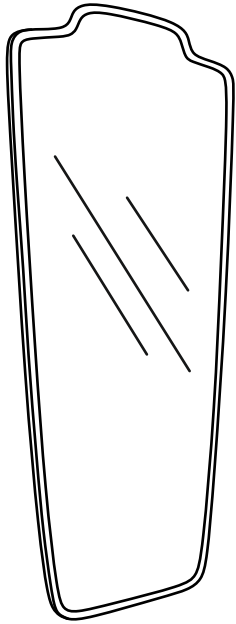
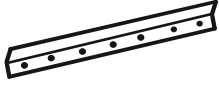
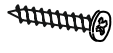



# ASSEMBLY INSTRUCTION FOR VAULT MIRROR

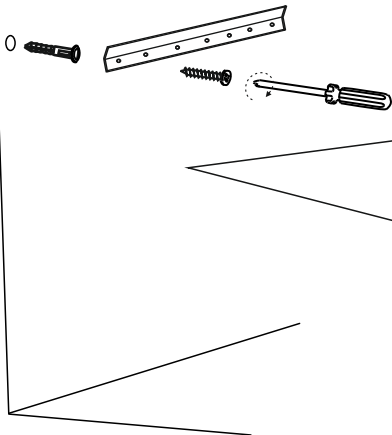


## HARDWARE LIST

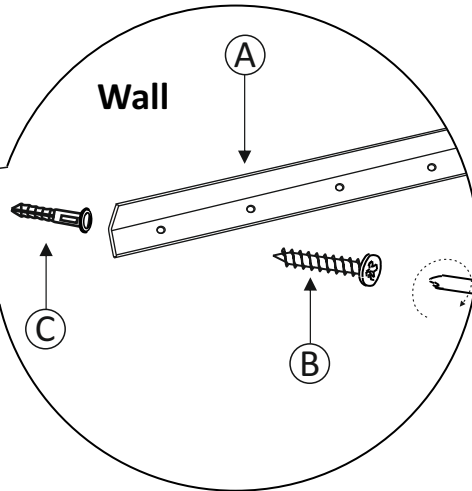
<b>A</b>		CLEAT	50 X 430mm	1
<b>B</b>		SCREW	10 X 30mm	8
<b>C</b>		ANCHOR	10 X 30mm	8

STEP-1

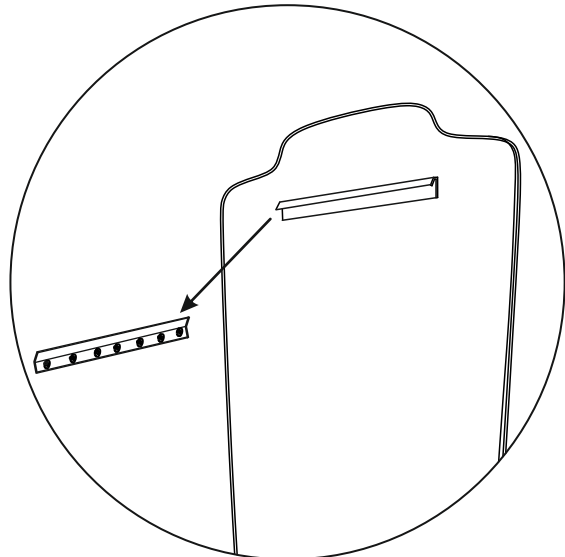
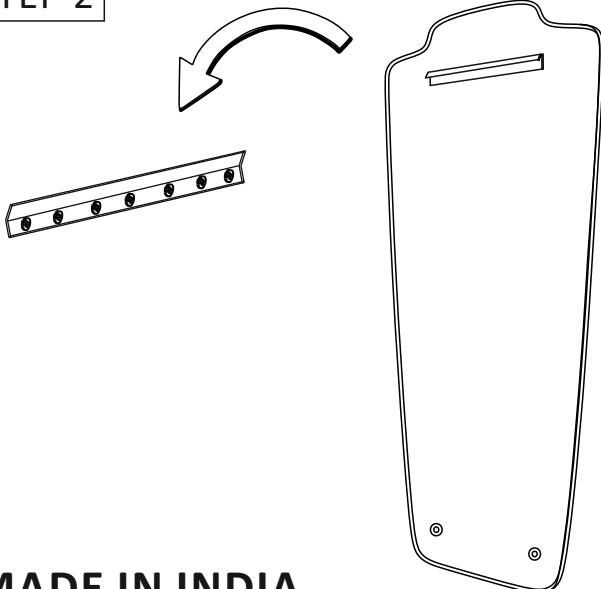
Wall



Wall



STEP-2



MADE IN INDIA