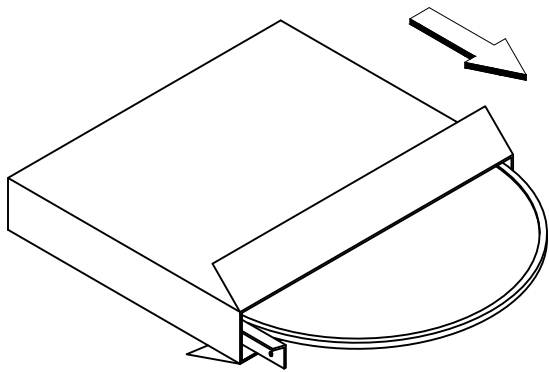
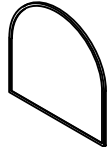
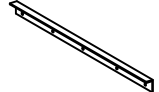




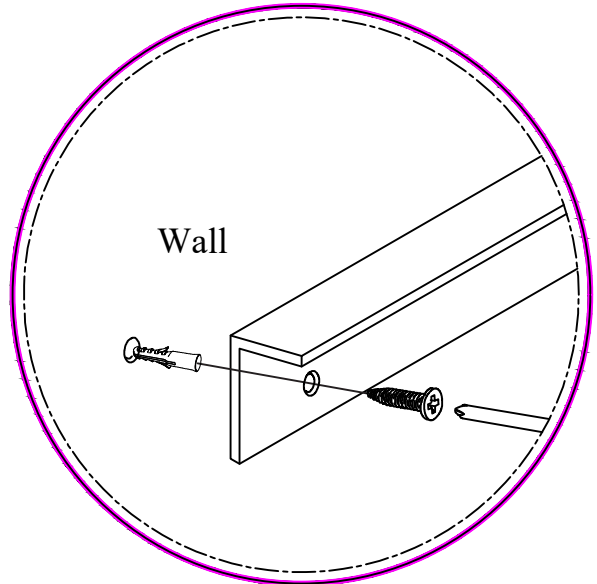
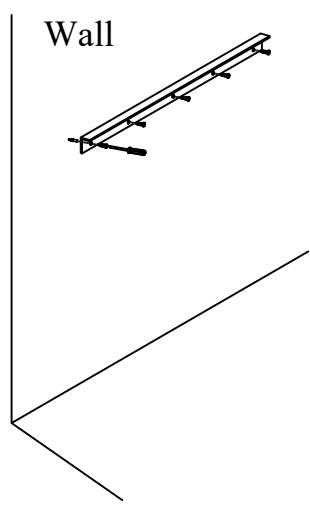
1



### Georgina Wide Mirror

	1
	1
	5+2
	5+2

2



3

