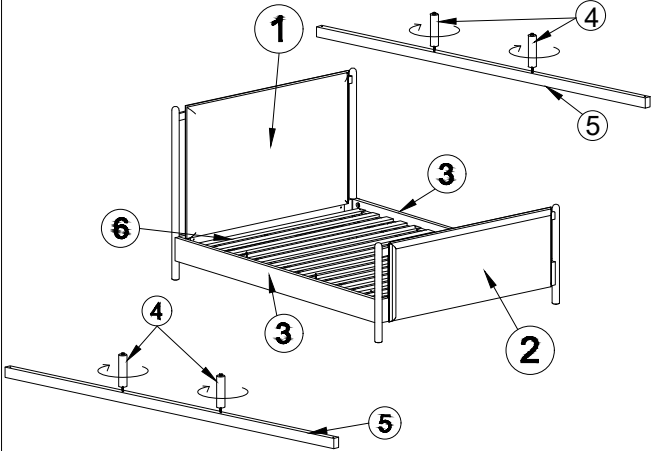
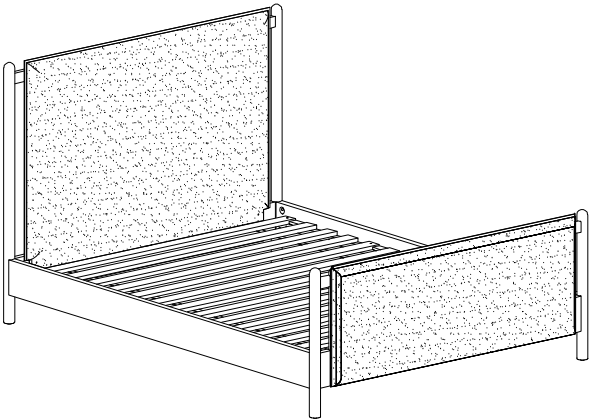



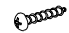

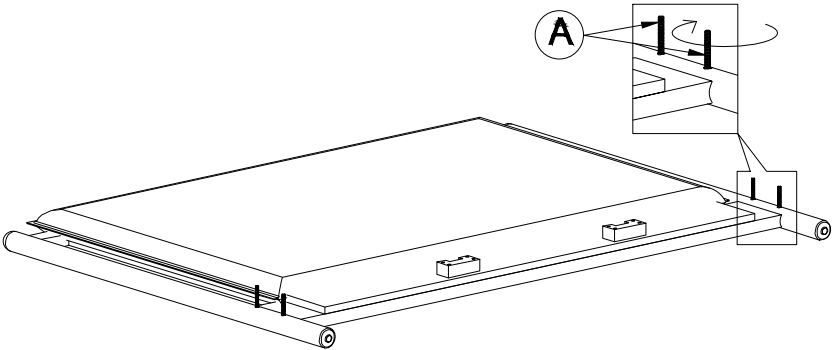


ASSEMBLY INSTRUCTION FOR MODEL: BOWEN BED KING

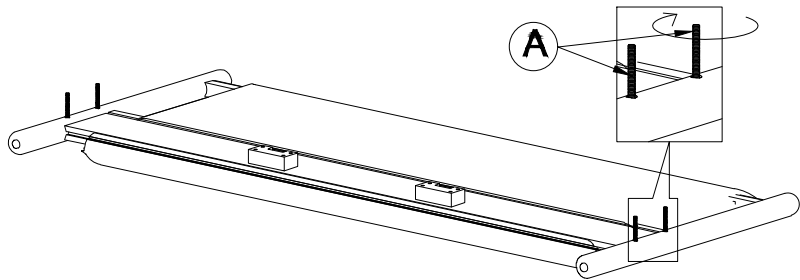


HARDWARE LIST			
A		Bolts M8x80	8
B		Nuts M8	8
C		Lock washer	8
D		Curved Washer	8
E		Long Screws M4x60	4
F		Short Screws M4x30	8
G		Wrench K13	1

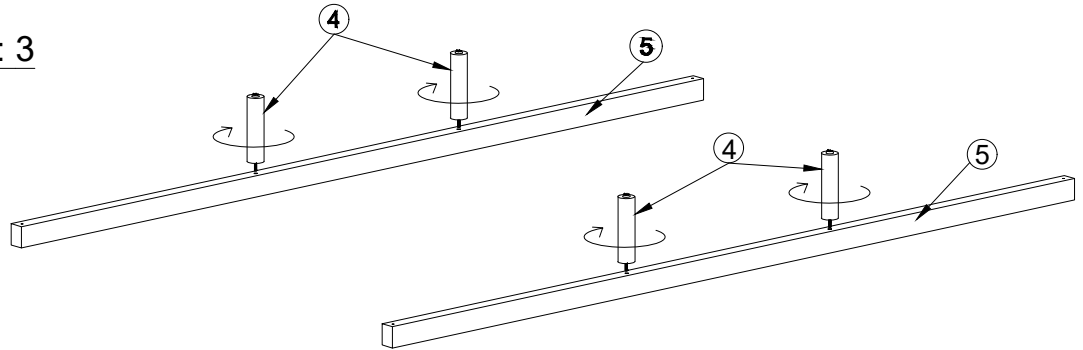
Step: 1



Step: 2

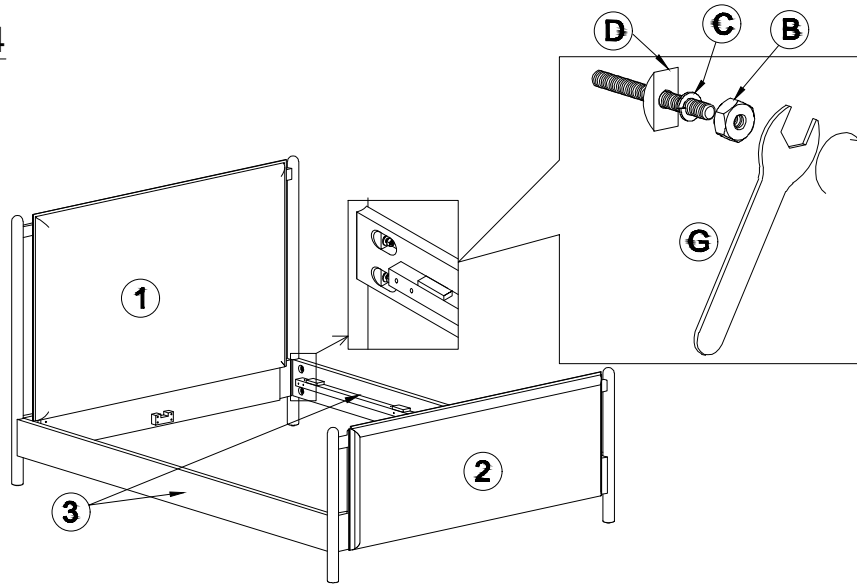


Step: 3

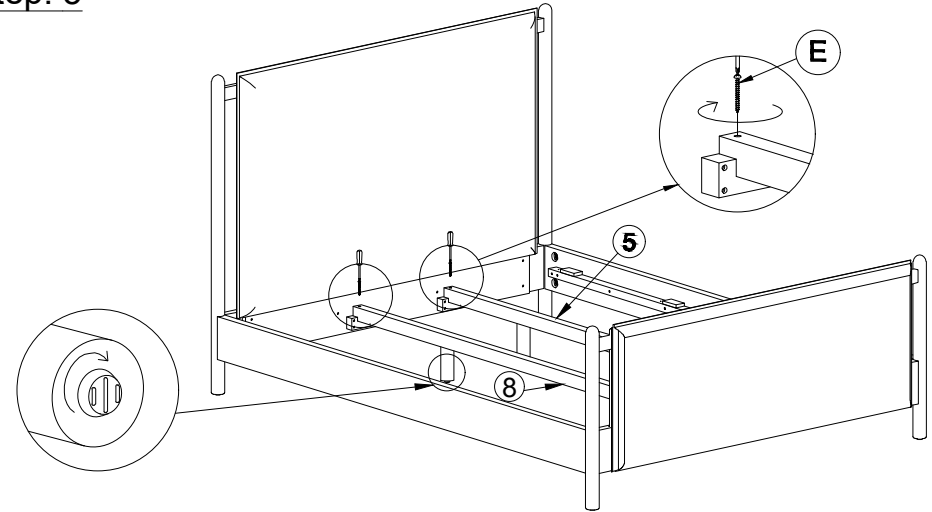


ASSEMBLY INSTRUCTION FOR MODEL: BOWEN BED KING

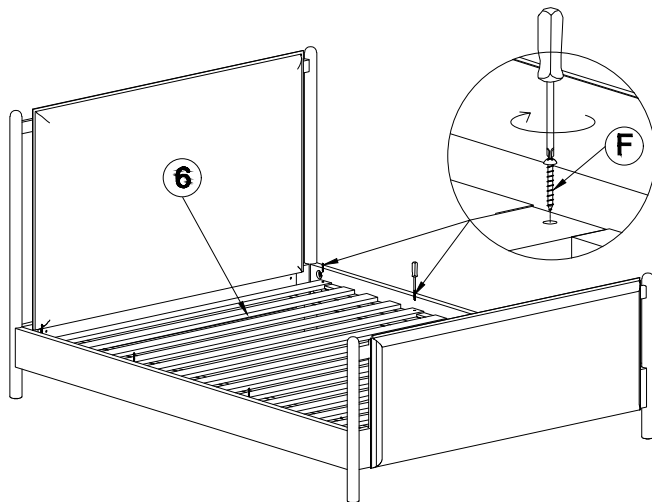
Step: 4



Step: 5



Step: 6



Step: 7

